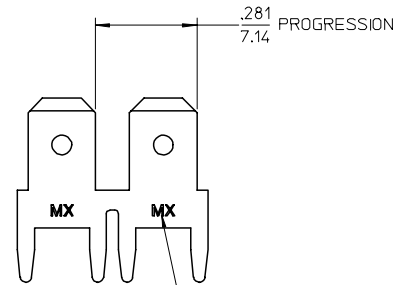
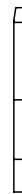
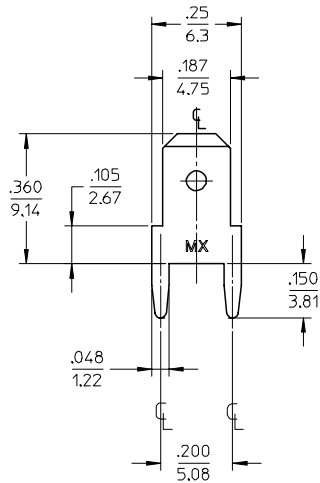
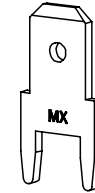
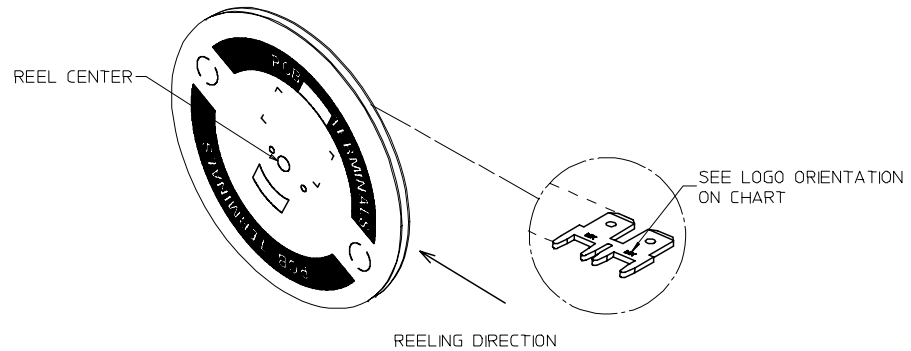
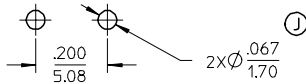


| MATERIAL NUMBER | ENGINEERING NUMBER | CARRIER | TAB THICKNESS | LOGO ORIENTATION |
|-----------------|--------------------|---------|---------------|------------------|
| 197084003       | 19708-4003         | STRIP   | .020/0.51     | IN               |
| 197084013       | 19708-4013         | STRIP   | .032/0.81     |                  |
| 197084015       | 19708-4015         | STRIP   | .032/0.81     |                  |
| 197084001       | 19708-4001         | LOOSE   | .020/0.51     | -                |
| 197084011       | 19708-4011         | LOOSE   | .032/0.81     | -                |



LOGO OPTIONS:  
MX, ETC. OR MX-ETC

RECOMMENDED PCB  
HOLE LAYOUT



NOTES:

1. BARE EDGES PERMISSIBLE AT CARRIER CUT OFF.
2. MATERIAL: BRASS C26000
3. MATERIAL THICKNESS: SEE CHART
4. TAB CONFORMS TO NEMA SPECIFICATIONS.
5. ALL DIMENSIONS AND NOTES REFERENCE UNLESS OTHERWISE NOTED.
6. PLATING: MATTE TIN, 150μN/3.81μmm MINIMUM THICKNESS OVER NICKEL 50μN/1.25μmm MINIMUM THICKNESS.
7. REF.: 15,000 MINIMUM PARTS PER REEL, REEL HAS 14" DIAMETER REEL WITH A 1.25" DIAMETER CENTER HOLE.
8. PART IS ROHS COMPLIANT.

|  |                             |   |        |                 |            |                          |                      |                        |  |
|--|-----------------------------|---|--------|-----------------|------------|--------------------------|----------------------|------------------------|--|
| ADD LOOSE PC - REV PCB HOLE<br>EC NO: ETC2007-0403<br>DRAWN/HELD: 2007/05/14<br>CHKD: JMACNEIL 2007/05/14<br>APPR: JMACNEIL 2007/05/15 | QUALITY SYMBOLS<br>=0<br>=0 | GENERAL TOLERANCES (UNLESS SPECIFIED)   |        | DIMENSION STYLE |            | SCALE                    | DESIGN UNITS         | THIRD ANGLE PROJECTION |  |
|  |                             | mm  | INCH   | IN/MM           |            | 4:1                      | INCH                 |                        |  |
|  |                             | 4 PLACES  | ± .005 | ± .005          | DRAWN BY   | DATE                     | TITLE                |                        |  |
|  |                             | 3 PLACES  | ± .01  | ± .01           | JH         | 10/18/96                 | QUICK DISCONNECT     |                        |  |
|  |                             | 2 PLACES  | ± 0.13 | ± 0.01          | CHECKED BY | DATE                     | PCB MOUNTABLE        |                        |  |
|  |                             | 1 PLACE   | ± 0.25 | ± .01           | RWD        | 10/18/96                 | .187 X .032/.020 TAB |                        |  |
|  |                             | ANGULAR ± 1 °   |        | APPROVED BY     | DATE       | MOLEX MOLEX INCORPORATED |                      |                        |  |
|  |                             | DRAFT WHERE APPLICABLE MUST REMAIN WITHIN DIMENSIONS  |        | MATERIAL NO.    | DATE       | DOCUMENT NO.             |                      | SHEET NO.              |  |
|  |                             | SEE CHART   |        |                 | 10/18/96   | SD-19708-400             |                      | 1 OF 1                 |  |
|  |                             | THIS DRAWING CONTAINS INFORMATION THAT IS PROPRIETARY TO MOLEX INCORPORATED AND SHOULD NOT BE USED WITHOUT WRITTEN PERMISSION |        |                 |            |                          |                      |                        |  |